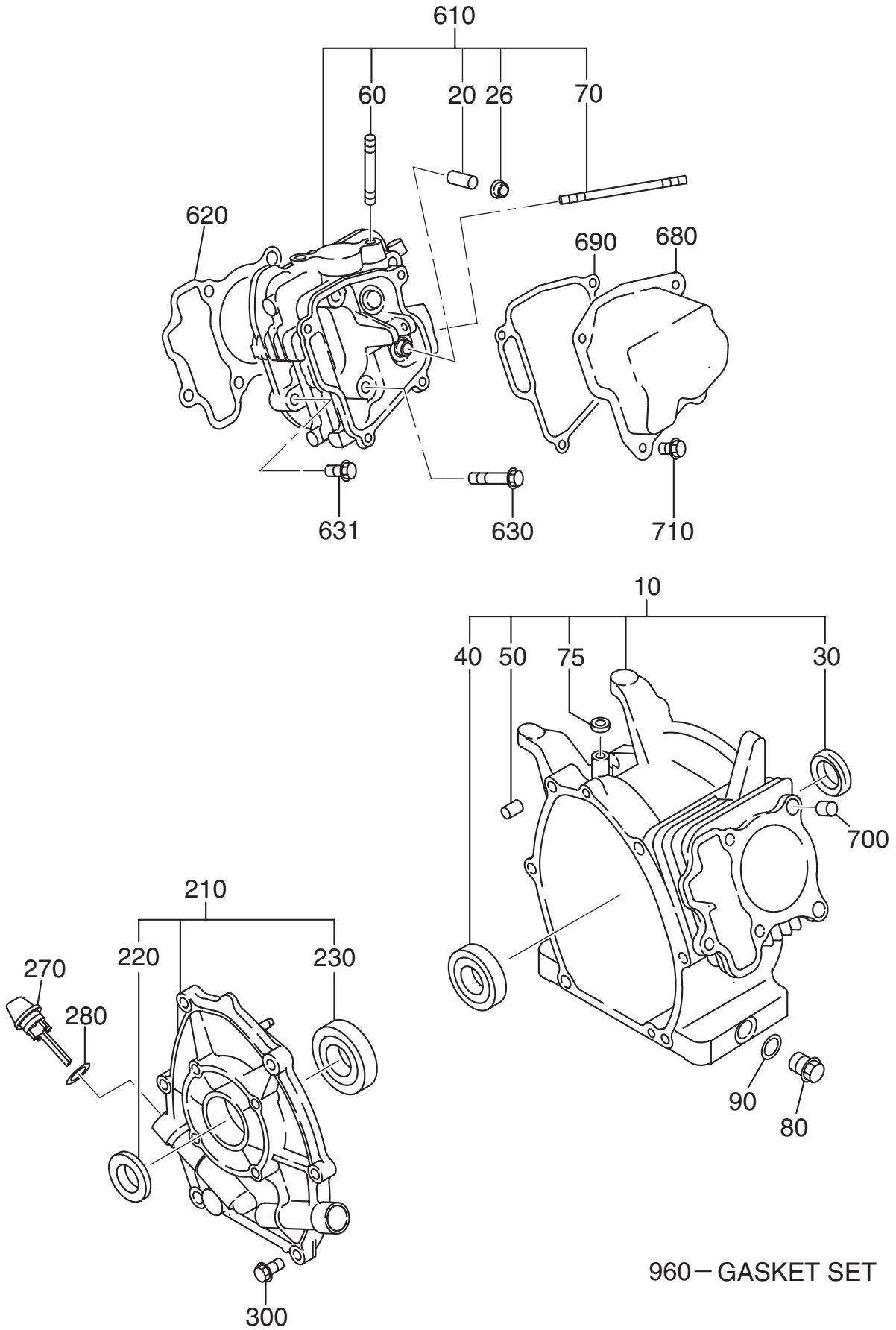

Model **KX21**

for **KART**

PARTS CATALOG

Spec. No. EX210KS8030

FIG. 100



960 - GASKET SET

1 CRANK CASE

REF.	PART NUMBER	PART NAME	QTY	REMARKS	CODE NO.	INTERCHANGE P/NO.	UNIT P	FIG.
10	278-10101-41	CRANK CASE CP	1		-			100
20	237-14202-03	VALVE GUIDE	2	5. 5DX9. 5DX27L	-			100
26	277-16010-01	STEM SEAL	1	5. 5DX9. 5DX15DX7. 8B	-			100
30	044-02502-00	OIL SEAL	1	25DX38DX7B	-			100
40	060-02800-21	BALL BEARING	1	28DX58DX16B	-			100
50	277-15011-03	PIPE KNOCK	2	10. 3DX8. 5DX14L	-			100
60	010-50802-50	STUD	2	M8X1. 25X25L	-			100
70	010-50604-10	STUD	2	M6X1. 0X107L	-			100
75	044-00600-20	OIL SEAL	1	6DX10DX2. 5B	-			100
80	040-11400-30	PLUG	2	M14X1. 5X20DX12L	-			100
90	021-11400-20	GASKET	2	14. 1DX19DX2. 3T	-			100
210	277-11002-21	MAIN BEARING COVER C	1	FLANGE 4-5/16-24UNF	-			100
220	044-02502-10	OIL SEAL	1	25DX41. 25DX6B	-			100
230	X60-02501-40	BALL BEARING	1	25DX52DX15B	7762-			100
	060-02501-40	BALL BEARING	1	25DX52DX15B	-7761	X60-02501-40		100
270	277-63601-23	OIL GAUGE	2	M18X1. 5 L=70+18	-			100
280	021-31600-20	GASKET	2	16DX23DX1. 2T RUBBER	-	X21-31600-20		100
300	001-04083-50	FLANGE BOLT	6	M8X1. 25X16DX35L	-			100
610	278-13010-01	CYLINDER HEAD CP	1		-			100
620	277-15001-23	GASKET (HEAD)	1	T=0. 2	-			100
630	011-00802-40	FLANGE BOLT	4	M8X1. 25X16DX68L	-			100
631	011-00803-10	FLANGE BOLT	1	M8X1. 25X16DX33L	-			100
680	277-15503-01	ROCKER COVER CP	1		-			100
690	277-16001-13	GASKET (ROCKER COVER)	1	T=0. 5	-			100
700	277-15011-03	PIPE KNOCK	2	10. 3DX8. 5DX14L	-			100
710	011-00600-20	FLANGE BOLT	4	M6X1. 0X14DX12L	-			100
960	277-99001-27	GASKET SET	1		-			100

FIG. 200

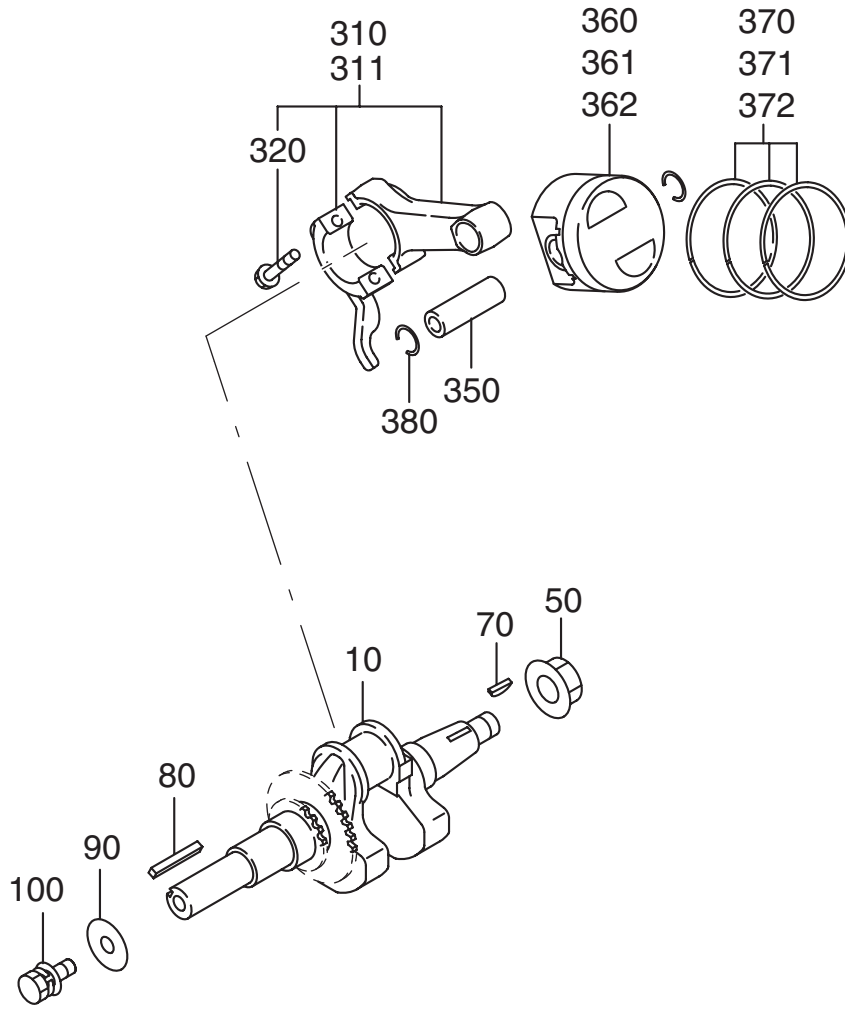
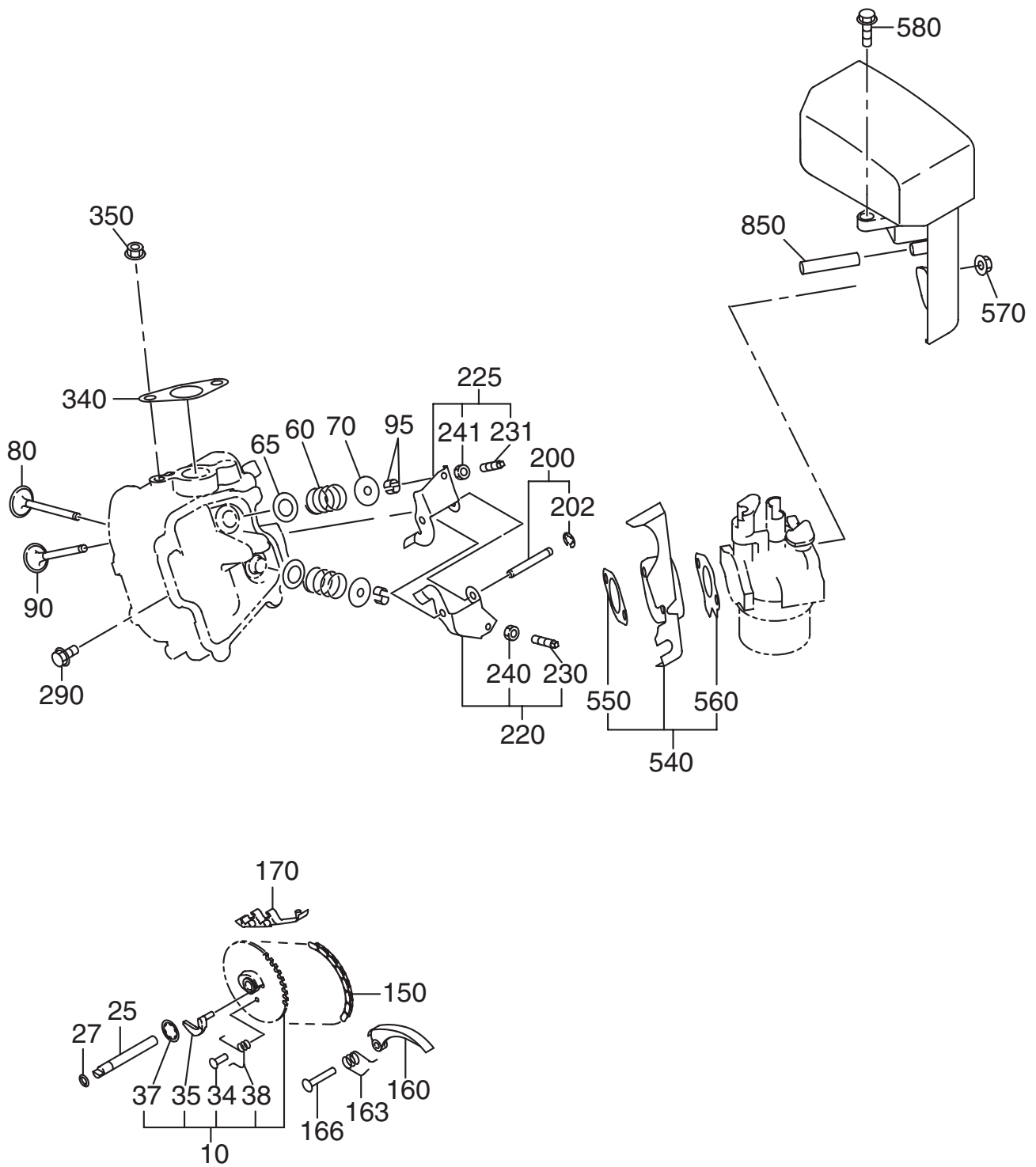


FIG. 300



3 INTAKE EXHAUST

REF.	PART NUMBER	PART NAME	QTY	R E M A R K S	CODE NO.	INTERCHANGE P/NO.	UNIT P	FIG.
10	278-31602-01	CAM SHAFT CP	1	85DX2. 9B N=40	-			300
25	277-35101-03	PIN(CAM SHAFT)	1	9DX78. 5L	-			300
27	024-00600-10	O RING	1	5. 8DX9. 6D	-			300
34	277-38601-03	PIN(SPRING)	1	4DX8DX9L	-			300
35	277-36401-03	RELEASE LEVER	1		-			300
37	278-38801-03	SPACER CAM	1		-			300
38	277-38702-03	RETURN SPRING	1	5. 1DX0. 6DX4. 4L N=7	-			300
60	279-33601-03	VALVE SPRING	2	19. 2DX2. 3DX27. 4L	-			300
65	278-38802-03	SPACER SPRING	2		-			300
70	269-33701-03	SPRING RETAINER	2		-			300
80	279-33401-H3	INTAKE VALVE	1	28. 5DX5. 5DX67. 8L	-			300
90	279-33501-H3	EXHAUST VALVE	1	26. 5DX5. 5DX67. 8L	-			300
95	132-10KA0-31	COLLET-VALVE	4		-			300
150	278-35601-11	TIMING CHAIN CP	1	92 LINK	-			300
160	277-36911-03	TENTIONER	1		-			300
163	277-37101-03	SPRING (TENTIONER)	1	10DX1. 8DX14L N=4. 5	-			300
166	277-36902-03	PIN(TENTIONER)	1	6DX13DX34L	-			300
170	277-36913-13	CHAIN GUIDE	1		-			300
200	277-35004-01	PIN(ROCKER) CP	1		7853-			300
	277-35003-03	PIN(ROCKER)	1		7731-7852			300
	277-35002-01	PIN(ROCKER) CP	1	6DX46L	-7730			300
202	003-13050-00	CLIP	1	5DX11DX0. 6T	-			300
220	277-36201-00	ROCKER ARM(IN) AY	1		-			300
225	277-36202-00	ROCKER ARM(EX) AY	1		-			300
230	014-90500-20	ADJUST SCREW	1	M5X0. 5X23L	-			300
231	014-90500-20	ADJUST SCREW	1	M5X0. 5X23L	-			300
240	017-00500-30	NUT	1	M5X0. 5X4. 1H	-			300
241	017-00500-30	NUT	1	M5X0. 5X4. 1H	-			300
290	011-00600-20	FLANGE BOLT	1	M6X1. 0X14DX12L	-			300
340	277-35201-13	GASKET (MUFFLER)	1	T=0. 2 26D 9DX58P	-			300
350	980-20082-80	FLANGE NUT	2	M8X1. 25X17DX7. 5H	-			300
540	279-32905-H0	INSULATOR AY	1		-			300
550	279-35903-J3	GASKET2 (INSULATOR)	1	T=0. 5	-			300
560	279-35902-J3	GASKET1 (INSULATOR)	1	T=0. 5	-			300
570	002-38060-00	FLANGE NUT	2	M6X1. 0X13DX6H	-			300
580	011-00600-50	FLANGE BOLT	1	M6X1. 0X13DX20L	-			300
850	279-32760-08	RUBBER PIPE	1	8DX11DX115L	-	085-10800-00		300

FIG. 315

DUAL ELEMENT

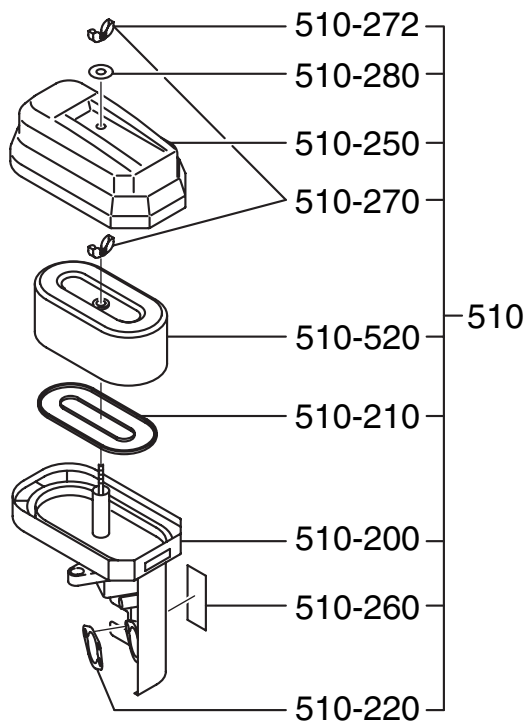
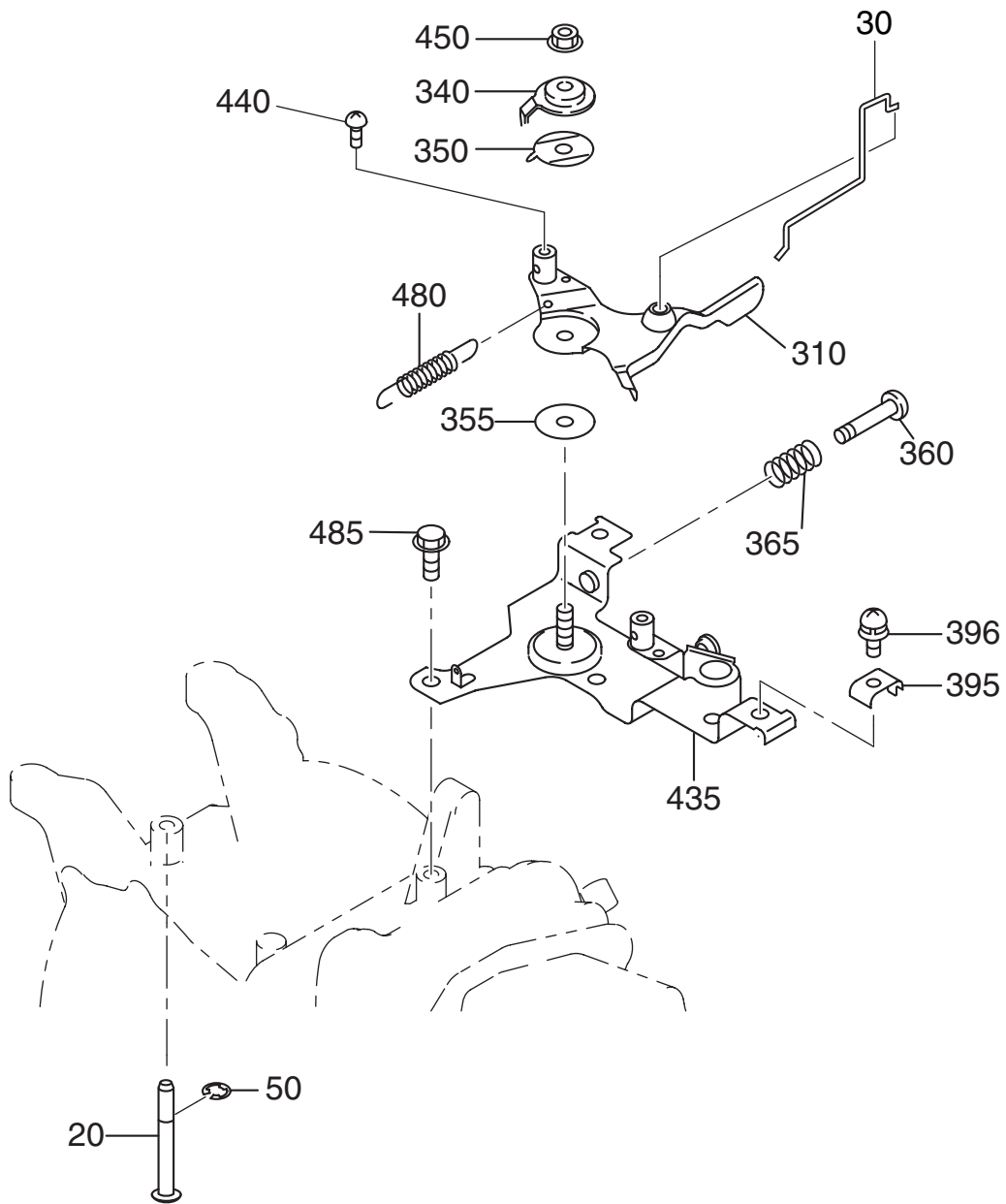


FIG. 400



4 GOVERNOR OPERATION

REF.	PART NUMBER	PART NAME	QTY	R E M A R K S	CODE NO.	INTERCHANGE P/NO.	UNIT P	FIG.
20	277-48601-03	PIN(BLIND)	1	6DX44L	-			400
30	277-42703-11	DIRECT ROD CP	1		-			400
50	003-13050-00	CLIP	1	5DX11DX0. 6T	-			400
310	277-43303-01	SPEED CONT. LEVER CP	1	W/SWIVEL	-			400
340	277-43502-03	STOP PLATE	1		-			400
350	277-44501-03	WASHER	1		-			400
355	021-70600-70	FRICTION WASHER	1	6. 5DX24DX0. 8T NYLON	-			400
360	004-31062-50	SCREW	1	M6X1. 0X25L	-			400
365	237-45004-23	SPRING (ADJUST)	1	6. 9DX0. 9DX20L N=7	-			400
395	277-43902-03	CLAMP	1		-			400
396	013-10500-30	SCREW AND WASHER AY	1	M5X0. 8X20L W/W, SW	-			400
435	277-46002-02	SPEED CONT. BRKT UN	1		-			400
440	004-31040-80	SCREW	1	M4X0. 7X8L	-			400
450	002-35060-00	SELF LOCK NUT	1	M6X1. 0X6. 8H	-			400
480	277-45103-03	RETURN SPRING	1	7DX0. 7DX28L N=15	-			400
485	011-00600-20	FLANGE BOLT	2	M6X1. 0X14DX12L	-			400

FIG. 500

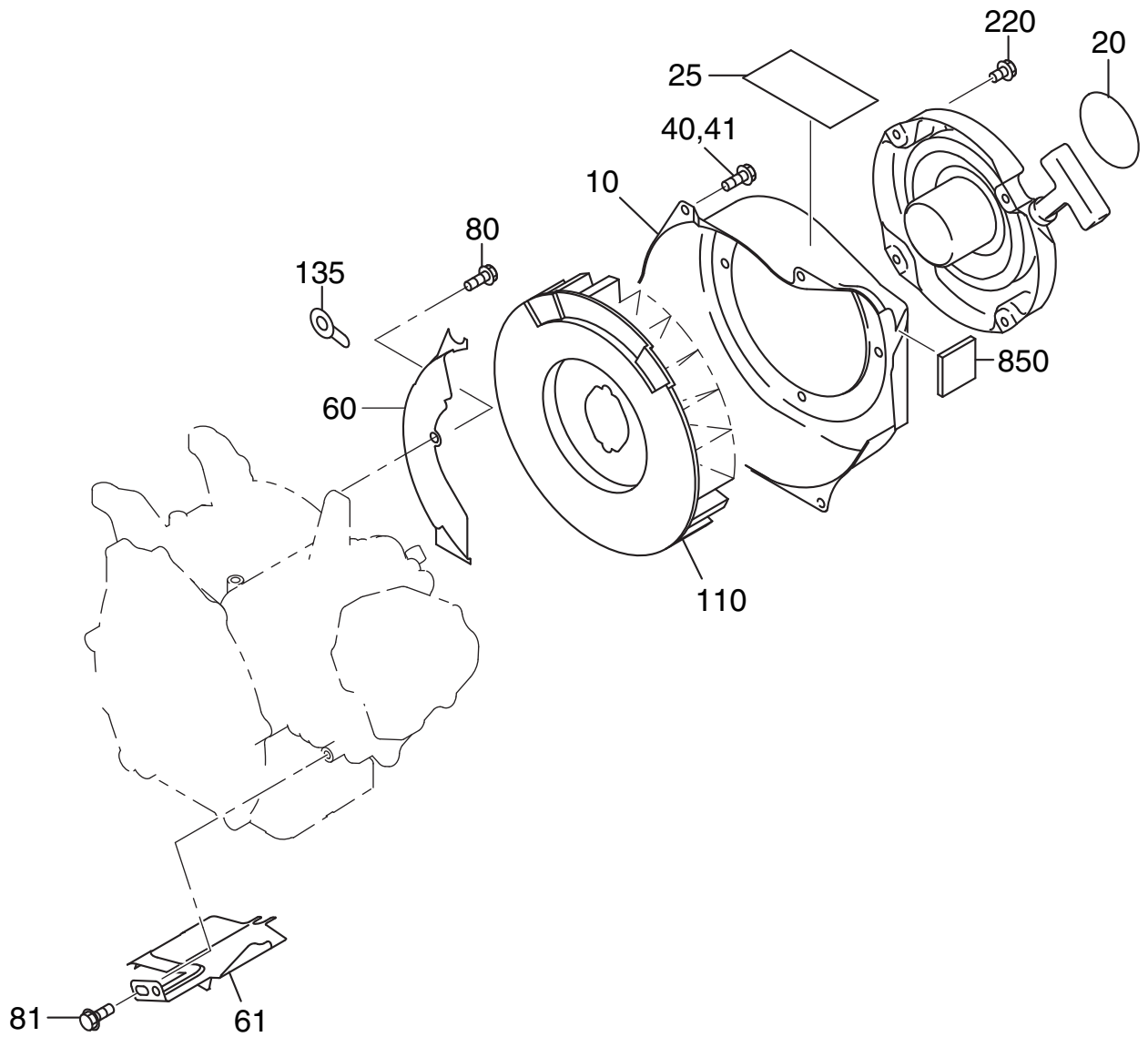


FIG. 520

RESIN

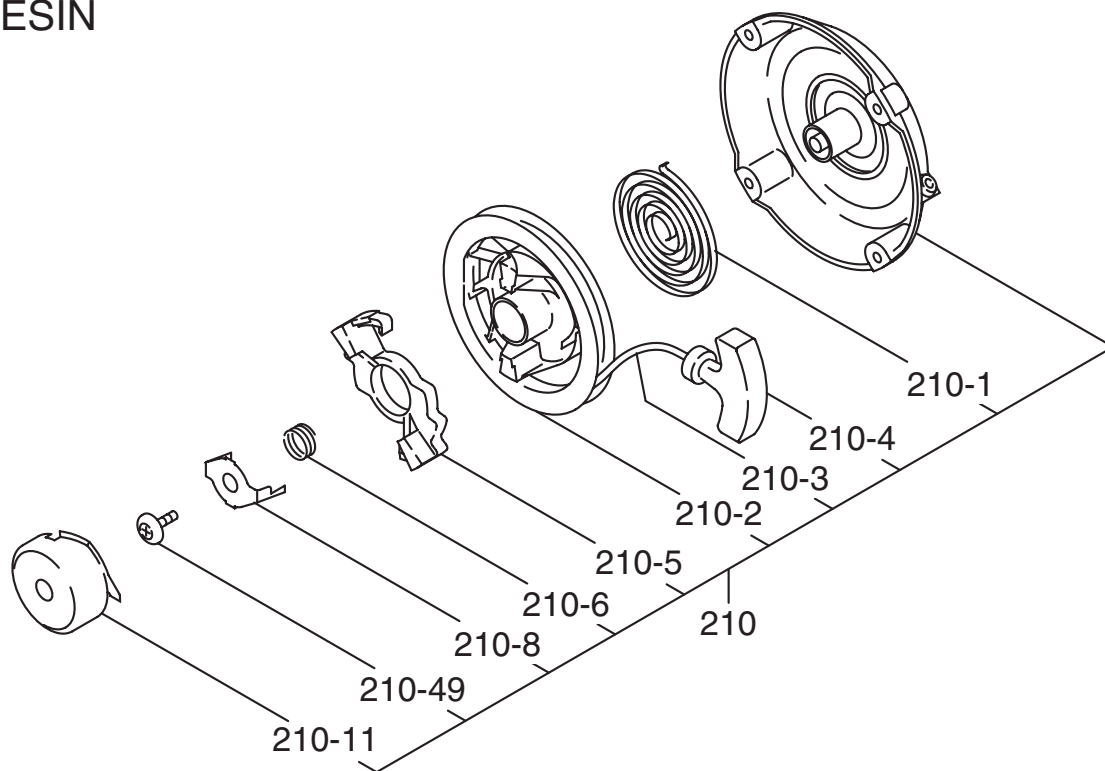


FIG. 600

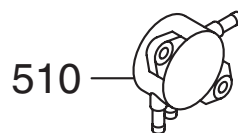
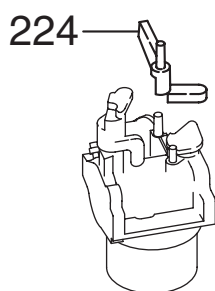
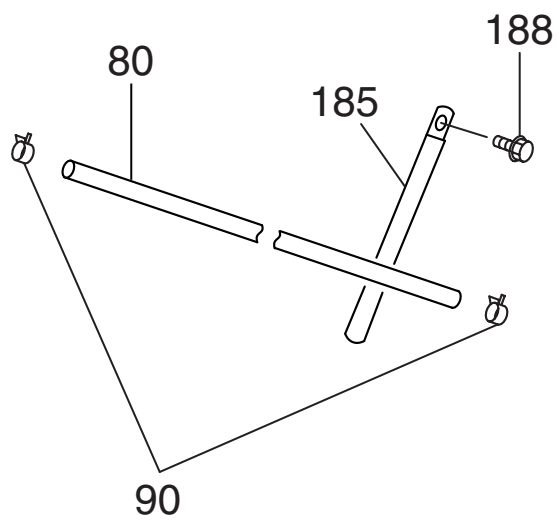
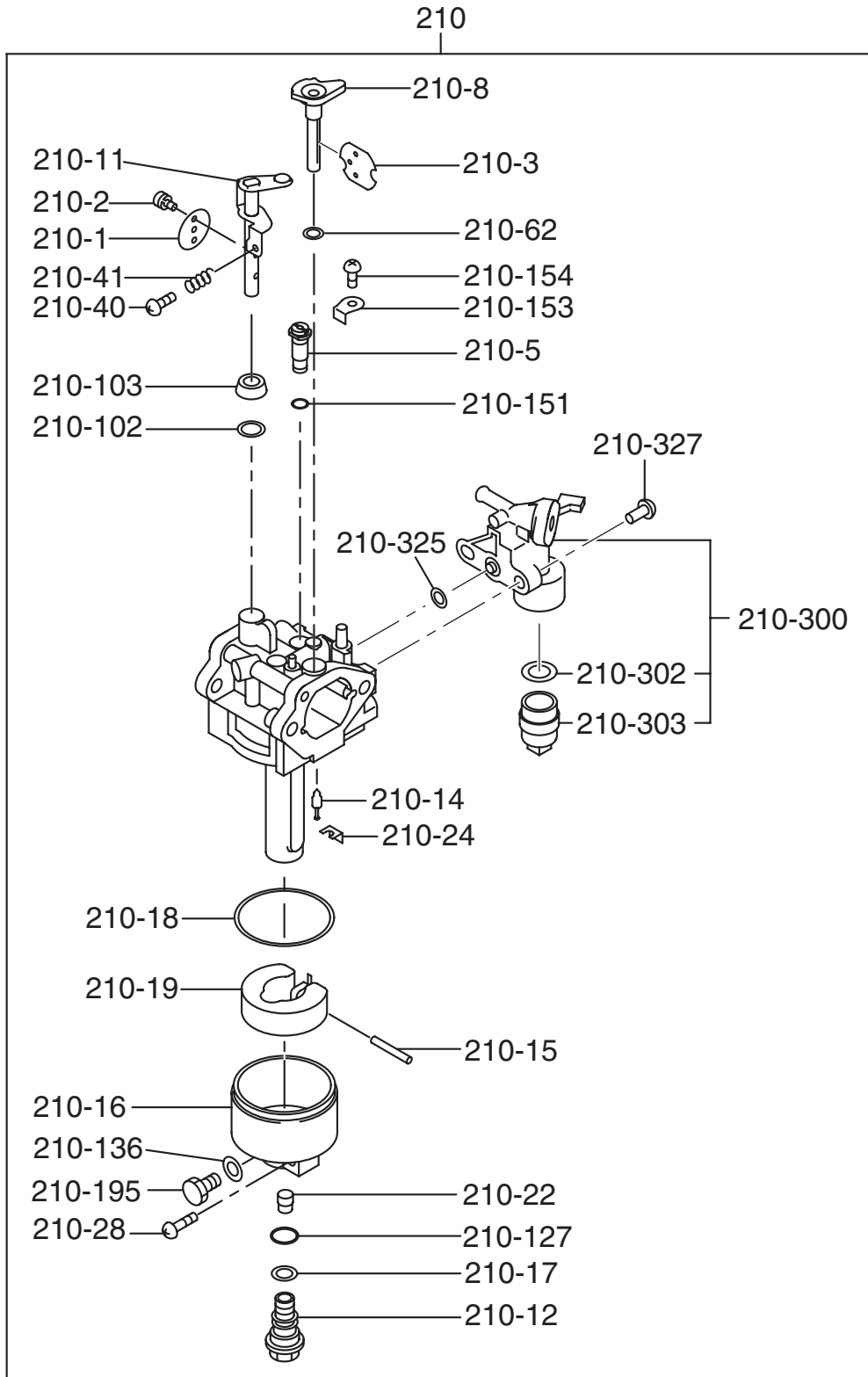


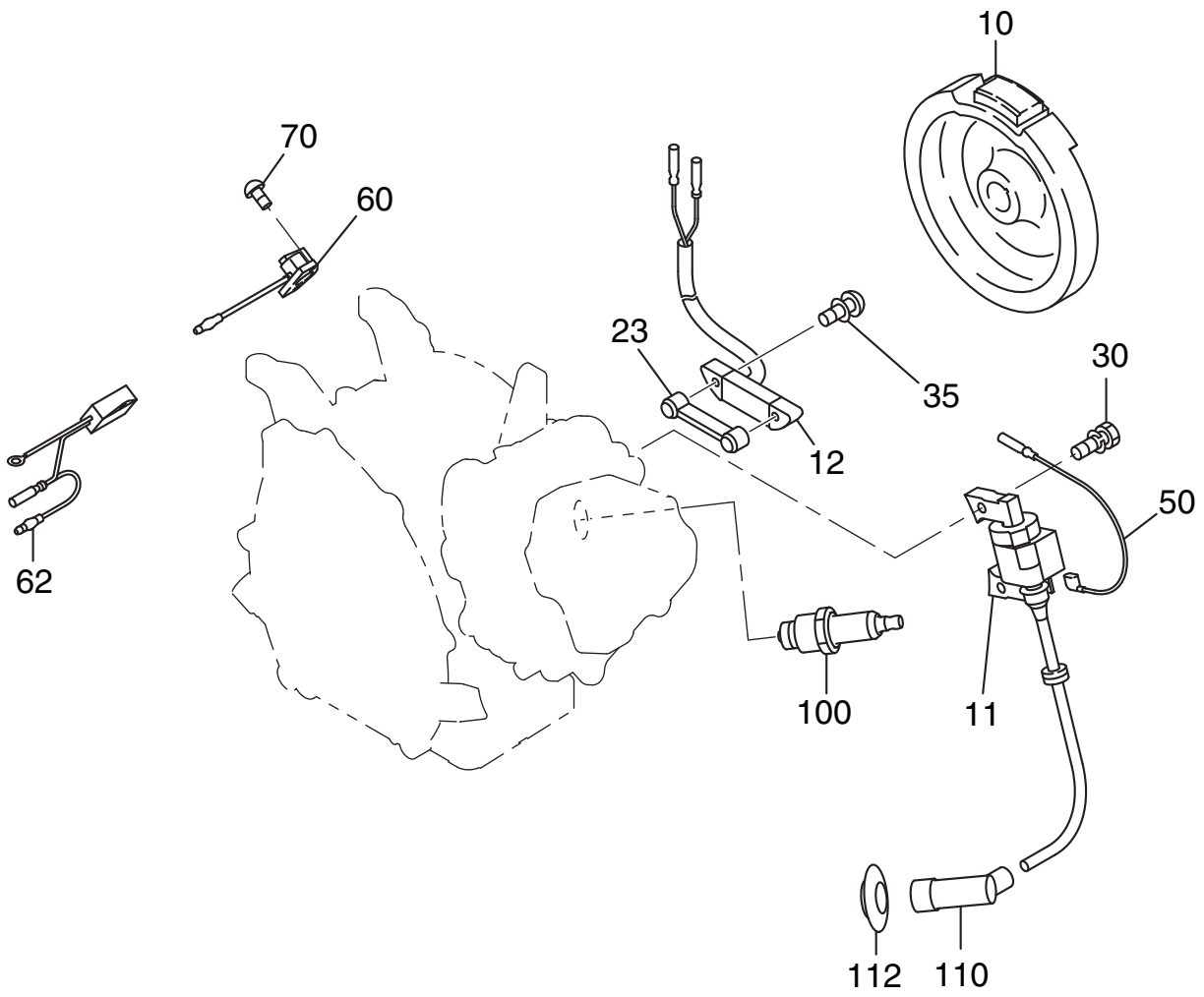
FIG. 642



6 FUEL LUBRICANT

REF.	PART NUMBER	PART NAME	QTY	R E M A R K S	CODE NO.	INTERCHANGE P/NO.	UNIT P	FIG.
210	278-62351-00	CARBURETOR AY	1		-			642
- 1	279-62536-08	THROTTLE VALVE	1		-			642
- 2	209-62351-08	SCREW	2		-			642
- 3	279-62527-08	CHOKE VALVE	1		-			642
- 5	279-62421-08	PILOT JET	1	#40	-			642
- 8	279-62522-08	CHOKE LEVER	1		-			642
- 11	279-62533-08	THROTTLE SHAFT-A	1		-			642
- 12	278-62451-08	JET HOLDER	1		-			642
- 14	224-62305-08	NEEDLE VALVE	1		-			642
- 15	214-62515-08	PIN	1		-			642
- 16	278-62505-08	FLOAT BODY-A	1		-			642
- 17	248-62451-08	WASHER	1		-			642
- 18	206-62540-08	PACKING	1		-			642
- 19	234-62506-08	FLOT-A	1		-			642
- 22	277-62405-08	MAIN JET	1	#83.8	-			642
- 24	226-62701-18	CLIP	1		-			642
- 28	214-62454-08	SCREW	1		-			642
- 40	106-62556-08	SCREW	1		-			642
- 41	283-62357-08	SPRING	1		-			642
- 62	236-62680-08	SEAL	1		-			642
-102	246-62390-08	SEAL	1		-			642
-103	279-62551-08	RING	1		-			642
-127	242-62313-08	O-RING	1		-			642
-136	209-62346-08	WASHER	1		-			642
-151	106-62384-08	O-RING	1		-			642
-153	279-62360-08	PLATE	1		-			642
-154	279-62351-08	SCREW	1		-			642
-195	278-62450-08	BOLT	1		-			642
-300	279-62103-10	COCK BODY-A	1		-			642
-302	277-62110-18	PACKING	1		-			642
-303	277-62100-18	CUP	1		-			642
-325	277-62552-08	O-RING	1		-			642
-327	165-62377-08	SCREW	2		-			642

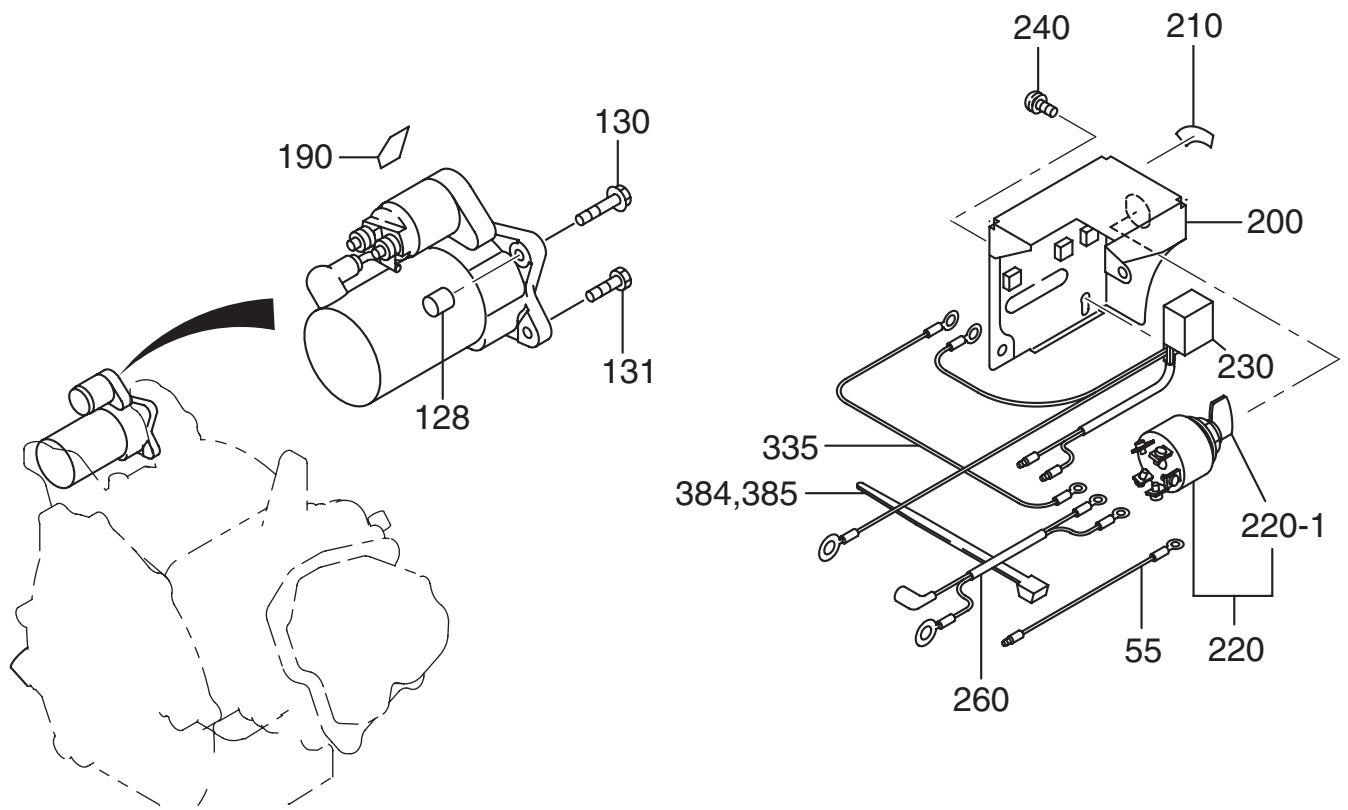
FIG. 700



7 ELECTRIC DEVICE

REF.	PART NUMBER	PART NAME	QTY	REMARKS	CODE NO.	INTERCHANGE P/NO.	UNIT P	FIG.
10	278-79274-01	FLYWHEEL CP	1	W/RING GEAR MF5368K	7527-			700
11	277-79431-11	IGNITION COIL CP	1	MARK BM3803	-			700
12	277-79302-01	LAMP COIL CP	1		7527-			700
23	277-79501-03	SPACER	1		7527-			700
30	001-14062-50	BOLT AND WASHER AY	2	M6X1.0X25L W/W, SW	-			700
35	001-13064-00	BOLT AND WASHER AY	2	M6X1.0X40L SW	-			700
50	279-73105-H1	WIRE 5 CP	1	L=510 BLACK	-			700
62	278-75601-10	SPEED LIMITER AY	1		-			700
100	065-01408-00	SPARK PLUG	1	NGK BR7HS	-			700
110	065-50002-70	SPARK PLUG CAP	1		-			700
112	277-55201-03	GROMMET, PLUG CAP	1		-			700

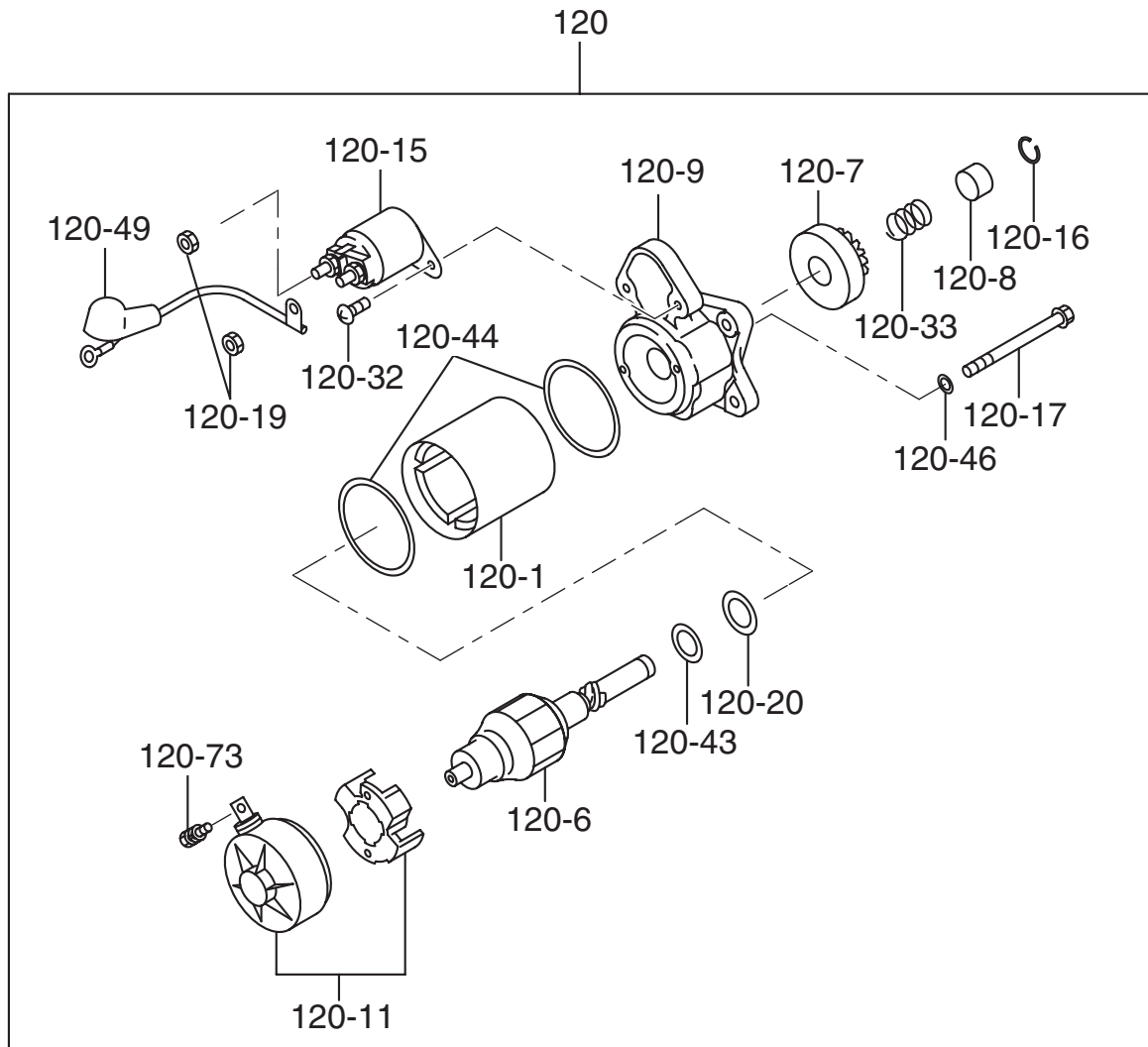
FIG. 720



7 ELECTRIC DEVICE

REF.	PART NUMBER	PART NAME	QTY	REMARKS	CODE NO.	INTERCHANGE P/NO.	UNIT P	FIG.
55	277-73105-01	WIRE 5 CP	1	L=170 BLACK	-			720
128	980-40081-10	STR PIN-8X10	1		-			720
130	011-00604-70	FLANGE BOLT	1	M6X1.0X13DX20L	-			720
131	011-00604-80	FLANGE BOLT	1	M6X1.0X13DX30L	-			720
190	073-20044-80	LABEL (BATTERY)	1		-			720
200	277-75101-01	CONTROL BOX CP	1		-			720
210	073-20044-60	LABEL (STARTER SWITCH	1		-			720
220	066-00003-30	SWITCH	1		-			720
- 1	066-00099-80	KEY, SWITCH	2	MARK 103	-			720
230	277-71903-01	REGULATOR CP	1		-			720
240	011-00600-20	FLANGE BOLT	2	M6X1.0X14DX12L	-			720
260	277-73103-11	WIRE 3 CP	1	L=230	-			720
335	277-73104-01	WIRE 4 CP	1	L=150 BLACK	-			720
384	056-30000-60	WIRE BAND	2	4.7BX1.3TX120L	-			720

FIG. 730



7 ELECTRIC DEVICE

REF.	PART NUMBER	PART NAME	QTY	R E M A R K S	CODE NO.	INTERCHANGE P/NO.	UNIT P	FIG.
120	277-70502-00	STARTING MOTOR AY	1		-			730
- 1	277-70550-08	YOKE ASSY	1		-			730
- 6	277-70551-08	ARMATURE ASSY	1		-			730
- 7	277-70520-08	CLUTCH, SUB-ASSY	1		-			730
- 8	227-70561-08	NUT, PINION STOP	1		-			730
- 9	277-70501-08	HOUSING ASSY	1		-			730
- 11	277-70502-08	FLAME ASSY	1		-			730
- 15	277-70573-08	CONTACTOR ASSY	1		-			730
- 16	227-70562-08	RING, SNAP	1		-			730
- 17	277-70570-08	BOLT, THROUGH	2		-			730
- 19	254-70576-08	NUT	2		-			730
- 20	227-70573-08	WASHER, PLATE SK	1		-			730
- 32	277-70574-08	SCREW, W/WASHER	2		-			730
- 33	277-70560-08	SPRING	1		-			730
- 43	227-70574-08	COLLAR, ARMATURE	1		-			730
- 44	227-70572-08	O RING	2		-			730
- 46	277-70571-08	O RING	2		-			730
- 49	277-70572-08	WIRE, SUB-ASSY	1		-			730
- 73	227-70577-08	BOLT, W/WASHER	1		-			730

FIG. 900

